

**HUGO®**

[www.hugoforklift.com](http://www.hugoforklift.com)

**HUGO®**

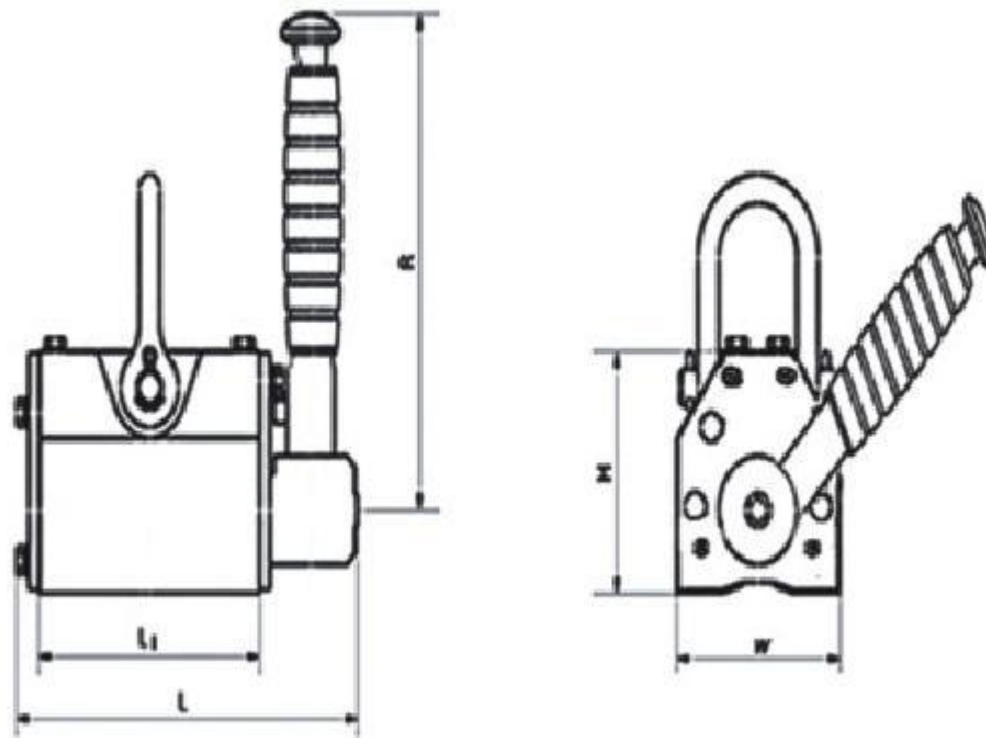
### **Magnetic Lifter 1000 kg**



HUGO® can provide you the best range of CD1 Wire Rope Electric Hoists such as Monorail Hoist, Fixed Suspension Hoist, Three Phase CD1 Wire Rope Electric Hoist with effective & timely delivery. HUGO® hoist can be any meters as per you need. Such as 3 m 6 m 9m 12m etc.

Due to magnetic lifter 1000 kg magnetic force, there is no need to use slings, clamps or other holding devices. This will eliminate the chance of damaging the lifted materials. It is permanent magnetic lifter.

Specification.



Model No.	Rated Lifting Capacity	Cylindrical Lifting Capacity	Flat Surface Lifting Capacity	Max Operating Temp	Demensions (mm)				Self Weight (kg)	Minimum Plate Thinkness Requires (mm)
	(kg)	(kg)	(kg)		L	B	H	R		
ZY-1	100	30	300	80	95	65	75	145	3	>4
ZY-2	200	75	200	80	163	91	90	160	9	>6
ZY-3	300	100	900	80	162	92	91	180	9	>8
ZY-5	500	150	1500	80	233	122	118	220	23	>12
ZY-6	600	200	1800	80	233	120	120	220	23	>15
ZY-10	1000	300	3000	80	260	175	165	285	50	>25
ZY-20	2000	600	6000	80	386	233	202	465	125	>40
ZY-30	3000	1000	9000	80	443	226	217	565	225	>60
ZY-50	5000	1500	10500	80	443	226	217	635	250	>60

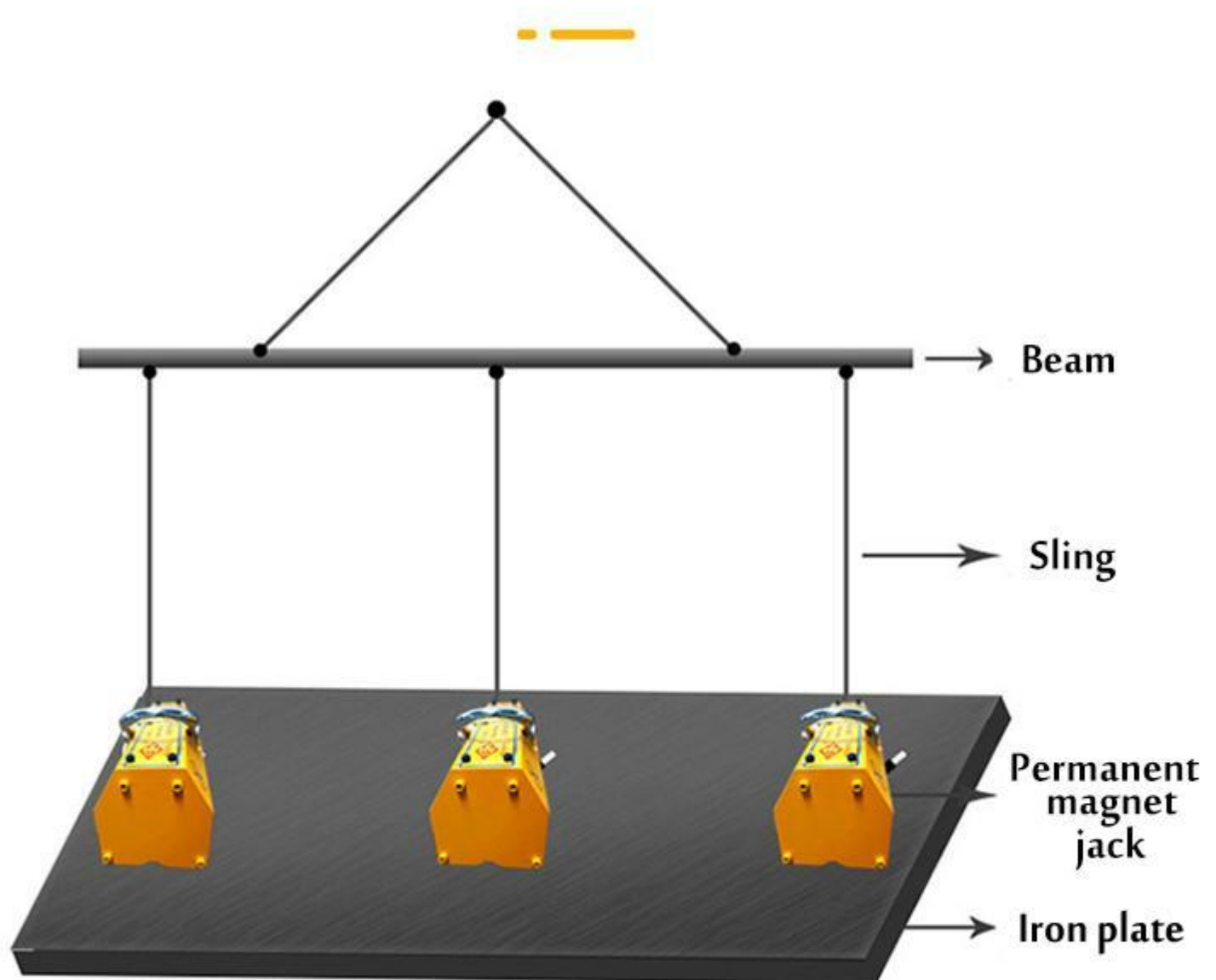
**Feature And Application**

The magnetic lifter 1000 kg features a breakaway force 3.5 times greater than the working load limit. Magnetic Lifters Weight capacities are available from 100kg to 6000kg. Magnetic Lifters No electricity needed which will increase product safety. The simple switch and safety button design allows for one handed operation. Magnetic Lifters is a good helper for your work.

# usage instructions

Can be used alone. Multiple units can also be used at the same time

The picture below shows a demonstration of the simultaneous use of multiple permanent magnet jacks



**Details**

magnetic lifter 1000 kg Small size, large holding force, manual type, only need to turn the handle to achieve iron absorption and discard iron. When the automatic ratchet rotates, magnetic lifter 1000 kg can automatically absorb the steel, which is safe and energy-saving, and the magnetic force is permanent.

magnetic lifter 1000 kg Steel material galvanized lifting ring, not easy to break, corrosion resistance



**HUGO**<sup>®</sup>

[www.hugoforklift.com](http://www.hugoforklift.com)

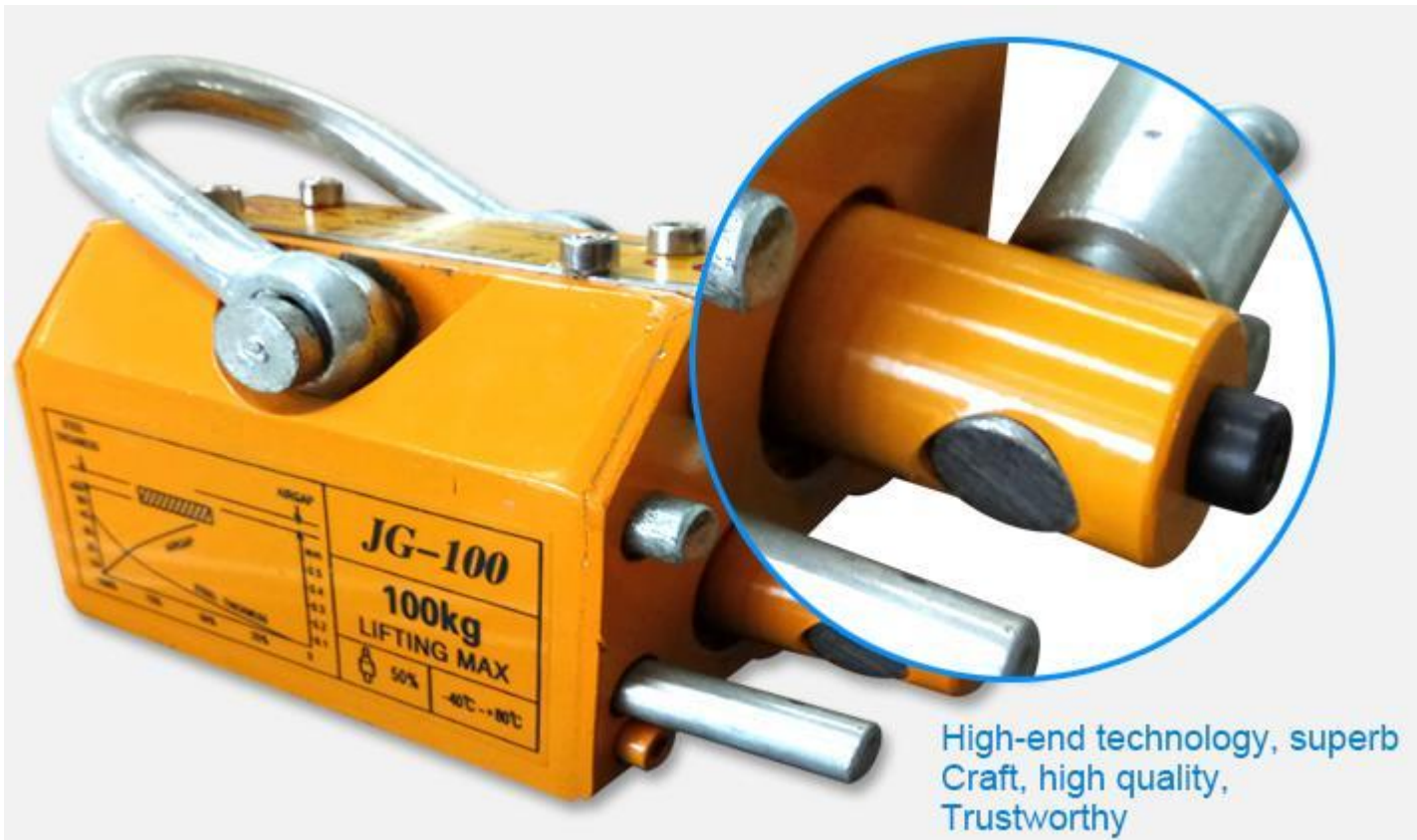
magnetic lifter 1000 kg Steel material galvanized lifting ring, not easy to break, corrosion resistance



Flexible rotation axis, flexible rotation and convenient control, improve work and safety efficiency

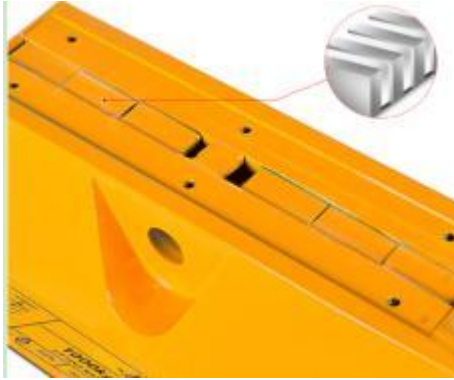
Tel:+86-13331211844

Email:sales6@yiyiingroup.com



The utility model rotating shaft of the magnetic lifter 1000 kg is labor-saving and flexible in rotation.

High-quality magnet, high-performance neodymium iron boron magnet source, strong magnetic system composed of magnetic materials



U-shaped groove design, strong adsorption, special U-shaped design, safe and efficient



Round steel still can suck



### **Product Qualification**

HUGO® supplies magnetic lifter 1000 kg 100KG 200KG 400KG 600KG 1T 2T 3T 5T 10T magnetic plate cranes. We are trustworthy and provide excellent value. Our raw tea has a history of more than 30 years. Each tea grower has undergone a pull test before leaving the factory, and the delivery package contains the product qualification certificate and inspection report, and has CE certification from the European Union. It is the most popular product in America, Australia, Asia. It's beautiful, strong and durable. We promise that the warranty period of the magnetic board lift is 2 years, and we sincerely welcome enterprises from all over the world to join us.

### **Deliver, Shipping And Serving**

Our Magnetic Lifter 1000KG are packaged in a fumigation-free wooden box to ensure the safety of the product during transportation. We provide after-sales quality assurance. During your use, if any damage other than man-made is found, we provide free parts and video installation instructions











Metal Part Machining



Neodymium Magnet Mounting



finished product



Packing

شهادة – 證書 – Certificat – 증명서 – Сертификат

Form GAT\_10-M05, version 00, effective since March 25th, 2020

---

## Certificate of Compliance

**No.** 11220426.SYCUC02

**Certificate's Holder:** Shanghai Yiyong Crane Machinery Co., Ltd.  
Room 253-1, Building 2, No. 6, Yunchuan Road, Baoshan District, Shanghai, China

**Certification ECM Mark:** 

**Product Model(s):** Magnetic Lifter  
100kg, 200kg, 300kg, 400kg, 500kg, 600kg, 1000kg, 1500kg, 2000kg, 3000kg, 5000kg, 10000kg

**Verification to:** Standard: EN ISO 12100:2010, EN 13157:2004+A1:2009  
related to CE Directive(s): 2006/42/EC (Machinery)

**Remark:** This document has been issued on a voluntary basis and upon request of the manufacturer. It is our opinion that the technical documentation received from the manufacturer is satisfactory for the requirements of the ECM Certification Mark. The conformity mark above can be affixed on the products accordingly to the ECM regulation about its release and its use.

**Additional information and clarification about the Marking:**  
The manufacturer is responsible for the CE Marking process, and if necessary, must refer to a Notified Body. This document has been issued on the basis of the regulation on ECM Voluntary Mark for the certification of products. RGD1\_ECM rev.3 available at: [www.entecema.it](http://www.entecema.it)

**CE**

**Issuance date:** 26 April 2022  
**Expiry date:** 25 April 2027

Reviewer  
Technical expert  
Amanda Payne



Approver  
ECM Service Director  
Luca Bedoni





---

**Ente Certificazione Macchine Srl**  
 Via Ca' Bella, 243 - Loc. Castello di Seravalle - 46053 Valsamoggia (BO) - ITALY  
 ☎ +39 051 6703141 ☎ +39 051 6705156 ✉ info@entecema.it 🌐 www.entecema.it

# OUR PARTNERS



## FAQ

①.How to use magnetic lifter 1000 kg?

For permanent magnets, the handle wrench turns the control switch to generate magnetic force and demagnetization. First, the magnetic hanging surface is in contact with the steel plate to be sucked to turn the handle to generate magnetic force, not the wrench handle directly.

②.Can the magnetic lifter 1000 kg crane be used in water?



[www.hugoforklift.com](http://www.hugoforklift.com)

The surface of this magnetic hoist is made of No. 45 steel, which is not rust-proof and cannot be used in water.

③.How to maintain magnetic lifter 1000 kg?

The surface of the suction cup should be wiped clean before use to avoid scratching and affecting accuracy. The operating environment temperature is  $-40^{\circ}\text{C}$ - $80^{\circ}\text{C}$ , knocking is strictly prohibited to prevent the magnetic force from being reduced. After use, apply anti-rust oil to the working surface to prevent corrosion.

④.How is the warranty guaranteed of magnetic lifter 1000 kg?

Warranty for two years, we are a manufacturer, direct warranty, handles and other vulnerable parts are not covered by the warranty, and handles can be equipped at cost.